

A

A

B

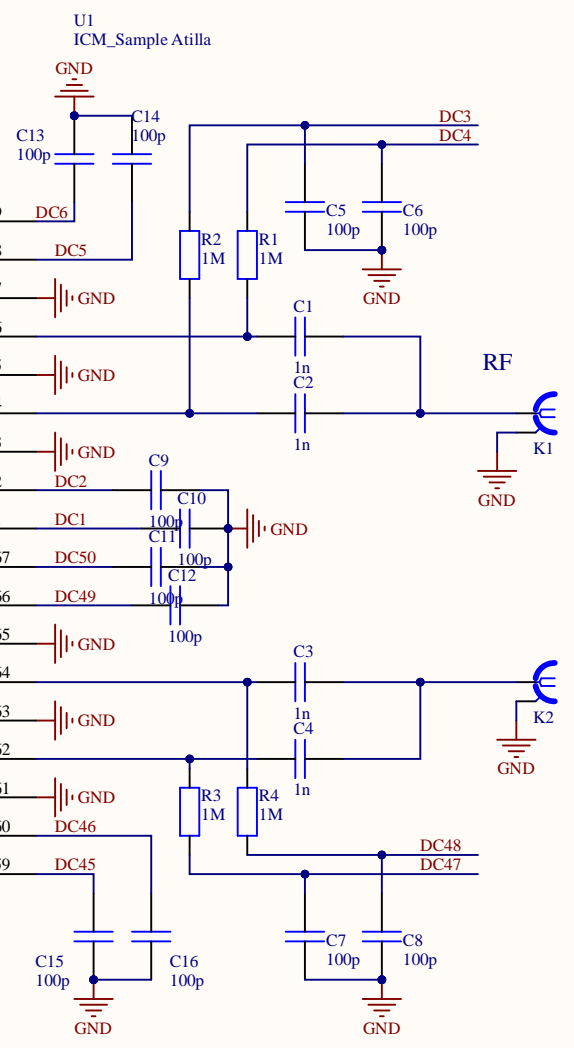
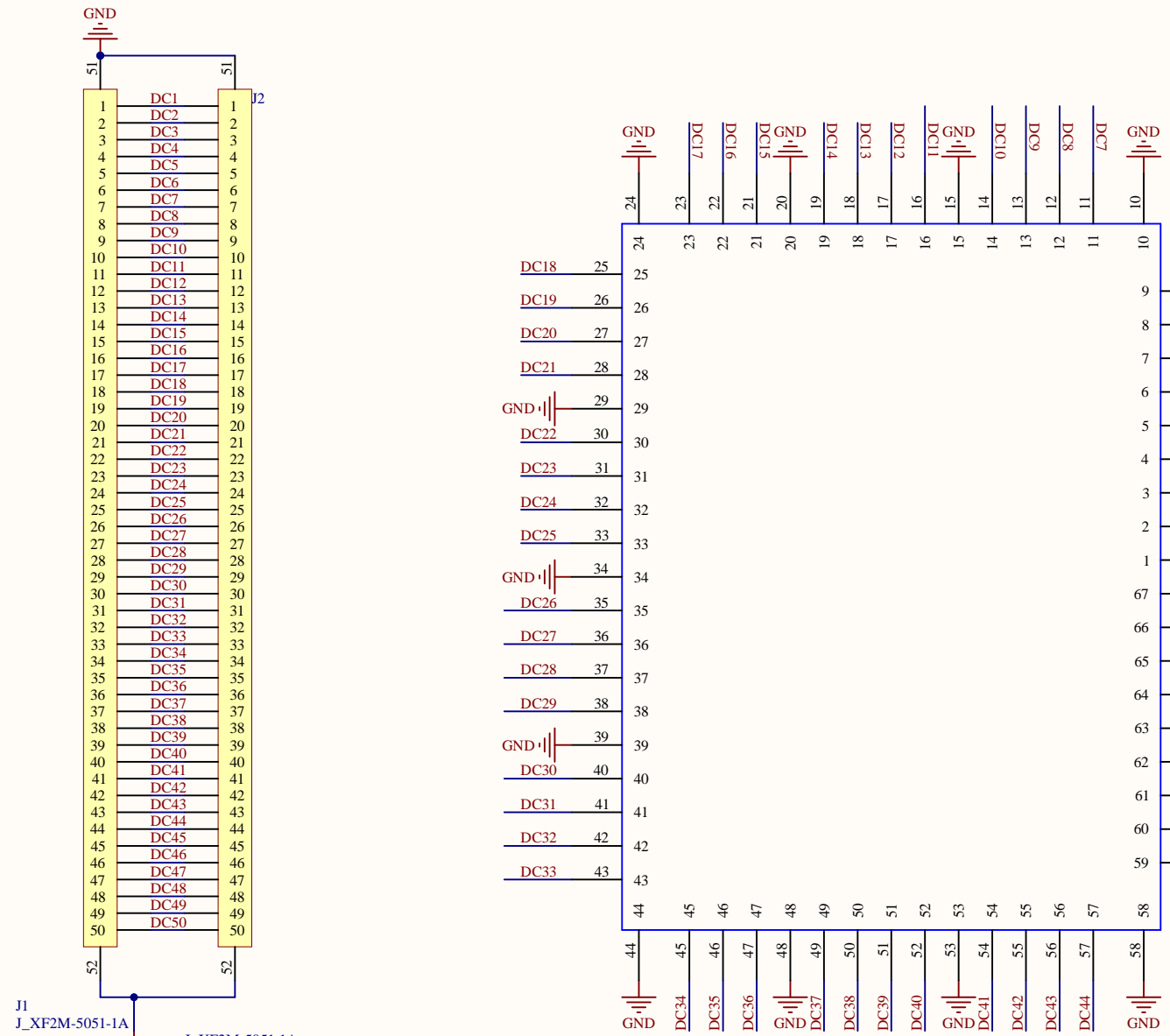
B

C

C

D

D



J1  
J\_XF2M-5051-1A  
GND

J2  
J\_XF2M-5051-1A  
MIRRORED  
PIN DEFINITION  
FFC CONNECTOR

Title <b>18-017 Sample PCB Atilla</b>		
Size A4	Number	Revision
Date: 9-18-2024	Sheet of 1	
File: U:\DEMO\...\18-017 Sample PCB Atilla.SchDoc By Does		